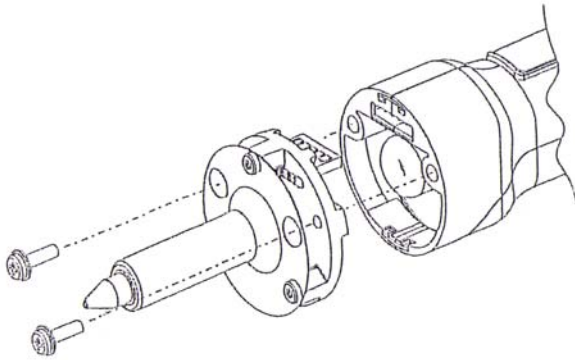


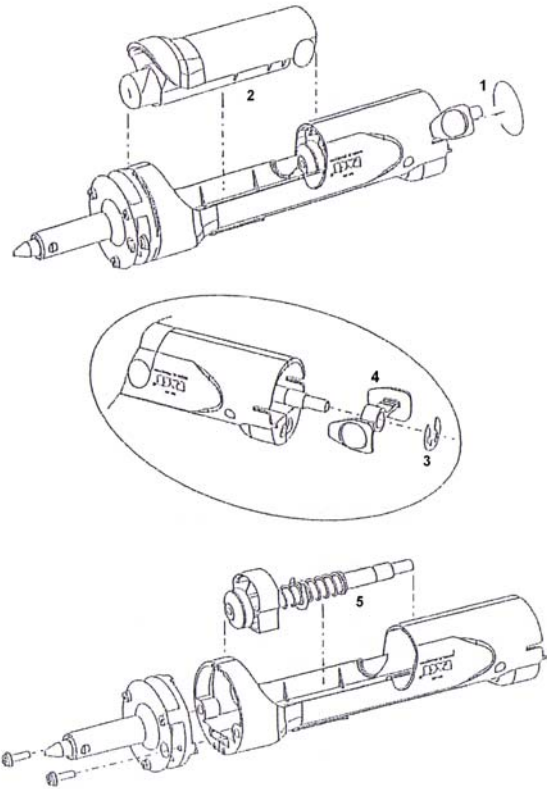


**PACE SX-80 & SX-90 Heater & Handle
Installation Instructions
MANUAL NUMBER 5050-0485 Rev. B**

HEATER REPLACEMENT



HANDLE REPLACEMENT



**For any questions regarding these instructions, contact
your local authorized PACE distributor or contact PACE
directly at the appropriate address listed below**



PACE Incorporated
9030 Junction Drive
Annapolis Junction,
MD 20701
Tel: (301) 490-9860
Fax: (301) 498-3252

PACE Europe Limited
13 Tanners Drive
Blakelands
Milton Keynes
Tel: (44) 1908-277666
Fax: (44) 1908-277777